



CATÁLOGO - DONCARTELTienda.ES - MARZO 2019

# CATALOGO

# ATRILES

Elemento con forma de plano inclinado, con pie o sin él, que sirve para sostener libros, partituras, y que es utilizado habitualmente para leer con más comodidad.

En nuestra firma actualizamos esa definición con los soportes de sobremesa y soportes para tablet o Ipad que abren todo un mundo de posibilidades.



· doncarteltienda.es  
· señales.net  
· doncartel.es



## STAND DETAILS



## INFORMATION

## DIMENSIONS

This multifunction tablet stand provides a Tablet Holder with foam pads for a better grip and a 500x700mm aluminium click frame. Two colors available white or black finish. This holder has an 1700mm aluminium pole with heavy silver steel base. Metal enclosure anti-theft system by 2 keys. Easily rotate 360° the enclosure for displaying portrait or landscape presentation. The tablet cable pass through the pole for a clean look. Request us for 2-sided frame or other Click frame sizes.



TABLET STAND		* W: Width	H: Height	D: Depth	*mm
Product	External (WxHxD)	Frame (xxx)			
13.876	540x1922xØ420	500x700			

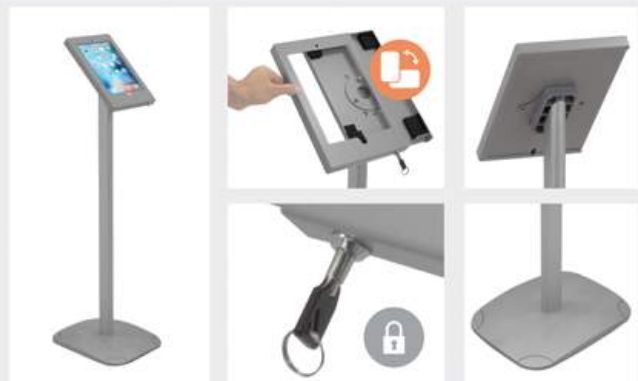
For tablet screen: 9.7" or 10.5"



## CLICK FRAME TABLET STAND



## STAND DETAILS



## INFORMATION

## DIMENSIONS

This Tablet Stand is available in grey color has a metal enclosure anti-theft system and the enclosure rotates easily for portrait or landscape view. Tablet Holder has foam pads for a better grip and to prevent scratches. The tablet cable passes through the pole for a clean look. Cable not included. Ideal for trade shows, academies, exhibitions or for events.



TABLET STAND		* W: Width	H: Height	D: Depth	*mm
Product	External (WxHxD)				
13.877	± 250x1000x330				

For tablet screen: 9.7" or 10.5"



## SLIDING LOCK TABLET STAND





## STAND DETAILS



## ACCESSORIES INCLUDED



## INFORMATION

## DIMENSIONS

This modern slim Tablet Stand is constructed on heavy duty metal. White and black color available. It features a metal enclosure anti-theft system. Tablet Holder has foam pads for a better grip and to prevent scratches. The enclosure rotates easily for portrait or landscape presentation. The tablet cable passes through the stand for a clean look. This tablet stand includes the accessories 1 Top banner plate, 2 Top magnetic graphic and 3 Power bank box.



## TABLET STAND \* W: Width H: Height D: Depth \*mm

	QTY	H.W	G.W	C.B.M	Size (WxHxD)
Packing	1	15kg	16kg	0.0859	310x1260x220
		External (WxHxD)			
Product		340x1280x390			
13.858-1		For 9.7" tablet screen			
13.858-2		For 9.7" tablet screen			



## FLOOR METAL TABLET STAND



\* the tablets at this page are not included.



### STAND DETAILS



### INFORMATION

### DIMENSIONS

This modern Console Station is constructed on heavy duty metal. With a metal enclosure anti-theft system. The tablet cable passes through the stand for a clean look. Tablet Holder has foam pads for a better grip and to prevent scratches. Black and white finish available. Request us for optional interchangeable magnetic graphic banner.



### TABLET STAND

\* W: Width H: Height D: Depth \*mm

	QTY	N.W.	G.W.	C.B.M.	Size (WxHxD)
Packing	1	23kg	26.50kg	0.219	1340x430x380
	External (WxHxD)				
Product	360x1260x300				
13.857-1		For tablet screen: 9.7" or 10.5"			
13.857-2		For tablet screen: 9.7" or 10.5"			



## CONSOLE STATION TABLET STAND



### STAND DETAILS



### INFORMATION

### DIMENSIONS

This black finished Tablet stand is designed for both sitting and standing thanks its telescopic pole. Also, an anti-theft system keeps the technology safely locked. Users may easily rotate 360° or tilt the bracket of the adjustable tablet floor stand for different viewing angles. Tablet Holder has foam pads for a better grip and to prevent scratches. The holder's touchscreen unique design allows access to the home and power buttons while also leaving the auxiliary port open, perfect for credit card readers.



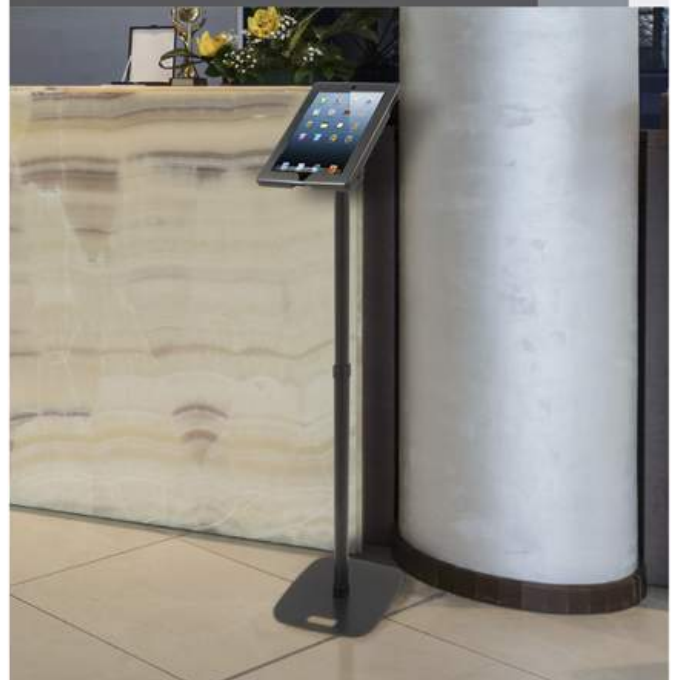
### TABLET STAND

\* W: Width H: Height D: Depth \*mm

	QTY	N.W.	G.W.	C.B.M.	Size (WxHxD)
Packing	1	4kg	4.25kg	0.037	395x760x125
	External (WxHxD)				
Product	245x1350x280				
10.306		For Tablet: ± 242.8x189.7mm			



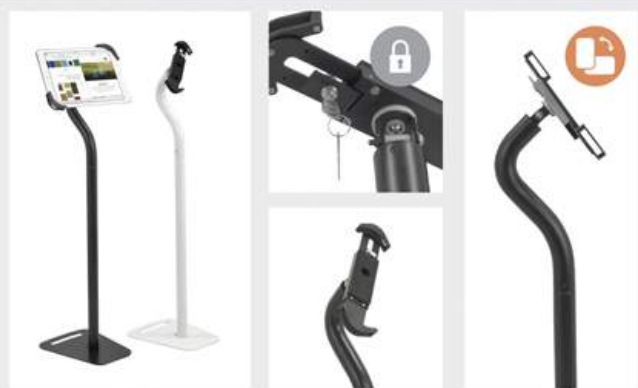
## ADJUSTABLE POLE TABLET STAND



\* the tablets at this page are not included.



## STAND DETAILS



## INFORMATION

This 2-in-1 tablet support is designed for floor or desk use. White or black color. Tablet Holder has foam pads for a better grip and to prevent scratches. With metal enclosure anti-theft system and Kensington hole. Holder easily rotates for portrait or landscape display. The tablet cable passes through the pole for a clean look.



## DIMENSIONS

### TABLET STAND \* W: Width H: Height D: Depth \*mm

	QTY	N.W	G.W	C.B.M	Size (WxHxD)
Packing	1	25kg	28kg	0.4838	890x420x110
		External (WxHxD)			
Product		300x190x380			
13.856-1		For Tablets from 7.9" to 10.5"			
13.856-2		For Tablets from 7.9" to 10.5"			



## SWAN CLAMP TABLET STAND



## STAND DETAILS



## INFORMATION

This 2-in-1 tablet support is designed for floor or desk use. White or black color. Tablet Holder has foam pads for a better grip and to prevent scratches. With metal enclosure anti-theft system and Kensington hole. Holder easily rotates for portrait or landscape display. The tablet cable passes through the pole for a clean look.



## DIMENSIONS

### TABLET STAND | DESK \* W: Width H: Height D: Depth \*mm

	QTY	N.W	G.W	C.B.M	Size (WxHxD)
Packing	1	28kg	32kg	0.4838	890x420x110
		External (WxHxD)			
Product		300x190x380			
13.855-1		For 9.7" or 10.5" tablets			
13.855-2		For 9.7" or 10.5" tablets			



## FLOOR & DESKTOP TABLET STAND



\* the tablets at this page are not included.



## STAND DETAILS



## INFORMATION

## DIMENSIONS

This tablet floor stand is designed for both sitting and standing use thanks to its telescopic pole. In addition, this stand has two available holding systems, universal clamp or metal enclosure. Holder easily rotates 360° and tilts for displaying in different view angles. The tablet cable passes through the pole for a clean look.



## TABLET STAND \* W: Width H: Height D: Depth \* mm

	QTY	N.W	G.W	C.B.M	Size (WxHxD)
Packing	1	1kg	1.55kg	0.006	365x92x204
		Height (H)			
Product		800-1300			
13.868		Universal clamp for tablets from ± 7.9" to 10.5"			
13.869		Metal enclosure for tablet screen ± 9.7" or 10.5"			



## DOUBLE ENCLOSURE TELESCOPIC TABLET STAND

**NEW**



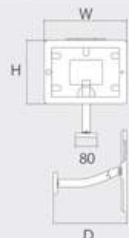
## FRAME DISPLAY DETAILS



## INFORMATION

\* mm

This Tablet Holder is designed for desk or wall mounting. Also, an anti-theft system keeps the technology safely locked. It has foam pads for a better grip and to prevent the scratches. The touchscreen holder's unique design allows access to the home and power buttons while also leaving the auxiliary port open, perfect for credit card readers. The bracket rotates easily 90° for different viewing angles.



## TABLET WALL | DESK \* W: Width H: Height D: Depth \* mm

	QTY	N.W	G.W	C.B.M	Size (WxHxD)
Packing	1	1kg	1.55kg	0.006	365x92x204
		External (WxHxD)			
Product		248x194x270			
14.108		For Tablet: ± 240x185mm			



## METAL FRAME WALL DESK TABLET HOLDER



\* the tablets at this page are not included.



## STAND DETAILS



## INFORMATION

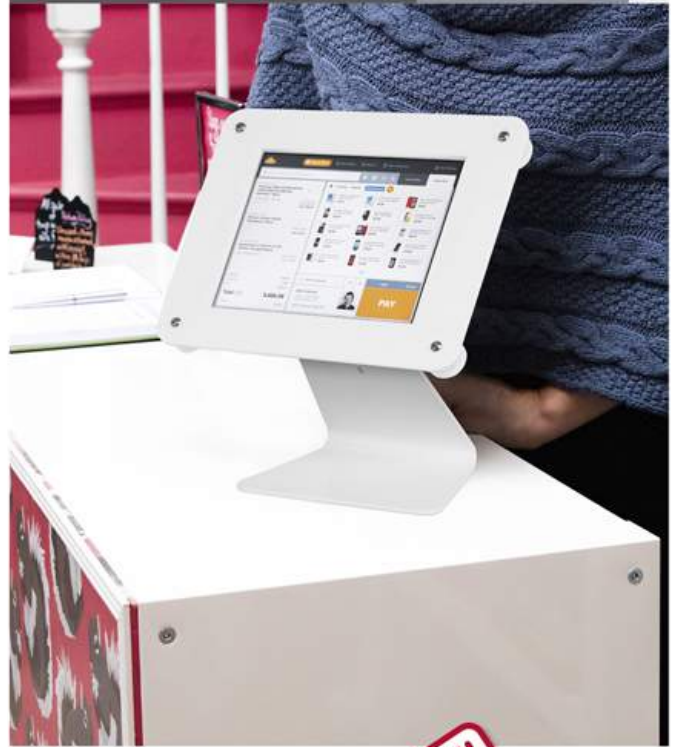
## DIMENSIONS \* mm

Desktop support with Z shape aluminium base and Kensington hole for additional security. Acrylic enclosure locks by 4 screws and rotates for portrait or landscape display. Tablet Holder has foam pads for a better grip and to prevent scratches. Compatible install of Square-Paypal card readers. Black and white colour.



TABLET DESK		* W: Width	H: Height	D: Depth	* mm
Packing	QTY: 1	N.W: 1.75kg	G.W: 1.92kg	C.B.M: 0.0201	Size (WxHxD): 340x200x295
	External (WxHxD)				
Product	270x300x150				
13.851-1		For 9.7" or 10.5" tablets			
13.851-2		For 9.7" or 10.5" tablets			

## ACRYLIC FRAME DESK TABLET HOLDER



## STAND DETAILS



## INFORMATION

## DIMENSIONS \* mm

Desktop Tablet support with Z shape aluminium base and kensington hole for additional security. Metal enclosure locking with key and rotates for portrait or landscape display. Tablet Holder has foam pads for a better grip and to prevent scratches. Available in black and white.



TABLET DESK		* W: Width	H: Height	D: Depth	* mm
Packing	QTY: 1	N.W: 1.75kg	G.W: 1.92kg	C.B.M: 0.0201	Size (WxHxD): 340x200x295
	External (WxHxD)				
Product	210x315x150				
13.852-1		For 9.7" or 10.5" tablets			
13.852-2		For 9.7" or 10.5" tablets			

## METAL CASE DESK TABLET HOLDER



\* the tablets at this page are not included.



## STAND DETAILS



## INFORMATION

## DIMENSIONS \* mm

Desktop or wall mounting tablet support with full range of movement thanks to its durable metal flexing column. Acrylic enclosure locks by 4 screws and rotates for portrait or landscape display. Compatible install of Square-Paypal card readers. Available in black and white.



## TABLET STAND

\* W: Width H: Height D: Depth \*mm

	QTY	N.W	G.W	C.B.M	Size (WxHxD)
Packing	1	1.33kg	1.83kg	0.0113	350x280x115
					External (WxHxD)
Product		295x250x230			
13.853-1					For 9.7" or 10.5" tablets
13.853-2					For 9.7" or 10.5" tablets



## FLEX ACRYLIC WALL DESK TABLET HOLDER

new



## STAND DETAILS



## INFORMATION

## DIMENSIONS \* mm

Desktop or wall mounting tablet support with full range of movement thanks to its durable metal flexing column. Metal enclosure locks with key and kensington hole for additional security. Tablet Holder has foam pads for a better grip and to prevent scratches. Available in black and white.



## TABLET STAND

\* W: Width H: Height D: Depth \*mm

	QTY	N.W	G.W	C.B.M	Size (WxHxD)
Packing	1	1.33kg	1.83kg	0.0113	350x280x115
					External (WxHxD)
Product		310x250x240			
13.854-1					For 9.7" or 10.5" tablets
13.854-2					For 9.7" or 10.5" tablets



## FLEX METAL WALL DESK TABLET HOLDER

new



\* the tablets at this page are not included.





## ALUMINIUM LECTERN

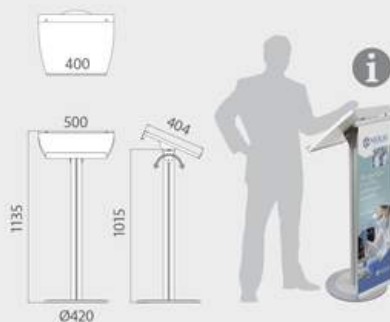


### STAND DETAILS



### DIMENSIONS AND OPTIONAL ACCESSORY i

\*mm



The back of the surface of this Lectern provides the possibility of attaching an Alulon Poster System (Ref: 10571) to place a banner and customize the look of the lectern. For more information, see Signage chapter.

### INFORMATION

This aluminium lectern includes a 19mm thickness white wooden reading surface with a matching aluminum post and circular base offering modern visual displays. The reading surface on this lectern includes a book stop to support your notes during a presentation for award recipients, sheet music for a performance, or a seating chart to assist a hostess, also it features an adjustable angle view for the reading surface. With its sleek contemporary design, this podium is easy to assemble, requiring only a screwdriver and a few minutes. Its silver aluminum pole and base are durable and will last through years of performances and presentations. This stylish yet affordable lectern is a great addition to any presentation space, such as auditoriums, restaurants for menu displays or convention centers to attract the attention of your audience.



Ref: 10571

Alulon Poster System see in Signage chapter (Optional accessory)

### ALUMINIUM LECTERN

\* W: Width H: Height D: Depth \*mm

	QTY	N.W	G.W	C.B.M	Size (WxHxD)
Packing	1	8.2kg	8.5kg	0.0097	440x440x50
	1	1.59kg	1.75kg	0.0067	80x80x1040
	1	3.95kg	4.7kg	0.0413	530x445x175
	External (WxHxD)				
Product	± 500x1135x420				



13.640



## REMOVABLE WOODEN LECTERN



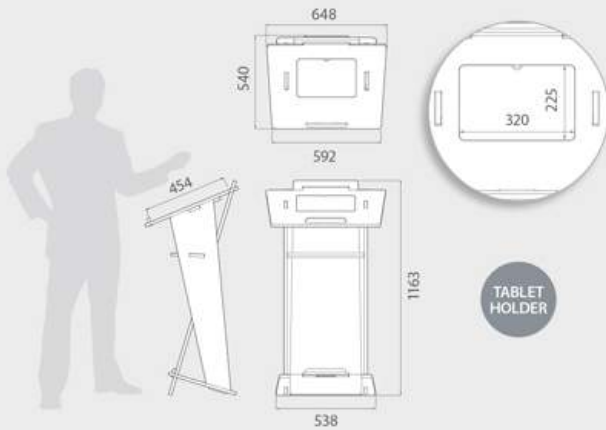
### STAND DETAILS



no tools  
required  
no screws

### DIMENSIONS AND OPTIONAL ACCESSORY

\*mm



### INFORMATION

This stunning wooden lectern does not require the use of any tools for its assembly thanks to its Patent System. Each of its 10 pieces is designed to complete a sturdy and firm structure in very few steps. It is made of 16mm thickness Waterproof MDF Wood with a natural stylish grey finish. It features one shelf in the interior of the lectern, so this way, the extra brochures, business cards and documents can be stored out of sight so your exhibition always appears clean and organized. Also, it features a 318x207mm holder at the top surface for placing securely a tablet. The Fast Wooden Lectern is ideal for being used at auditoriums or convention centers to attract the attention of your audience.

### WOODEN LECTERN

\*mm

	QTY	N.W	G.W	C.B.M	Size (WxHxD)
Packing	1	19kg	21.4kg	0.0832	605x105x1310

13.641



### LECTERN SET-UP

### 10 MANUALLY ATTACHABLE PARTS



\* the tablets at this page are not included.

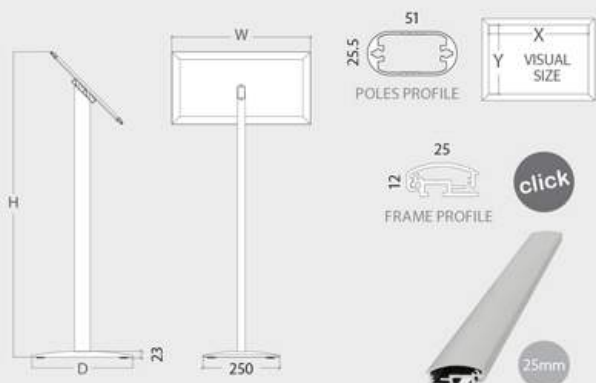


## STAND DETAILS



## DIMENSIONS

\* W: Width H: Height D: Depth \* mm



## INFORMATION

This Menu Stand features a sturdy aluminium structure with plastic parts. Its Click System frame allows an easy and quick graphic change (anti-reflex cover included). Frames features portrait or a landscape configuration. It is ideal for retail stores, hotel lobbies, restaurant entrances, car dealerships and real states.

### ZAFRA A3

	QTY	N.W	G.W	C.B.M	Size (WxHxD)
Packing	1	0.75kg	0.95kg	0.0047	60x930x85
	1	1.65kg	1.76kg	0.0034	275x355x35
	1	0.65kg	0.85kg	0.0061	365x480x35
		Visual (X-Y)	External (WxHxD)		
Product	400x277		453x996x330		



10.159 Graphic Size: A3

### ZAFRA A4

	QTY	N.W	G.W	C.B.M	Size (WxHxD)
Packing	1	0.75kg	0.95kg	0.0047	60x930x85
	1	1.65kg	1.76kg	0.0034	275x355x35
	1	0.45kg	0.55kg	0.0024	270x350x25
		Visual (X-Y)	External (WxHxD)		
Product	190x278		311x960x330		



10.158 Graphic Size: A4

## ZAFRA



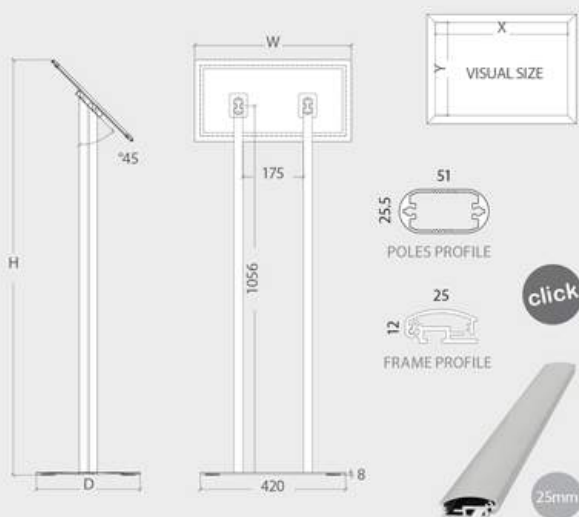


## STAND DETAILS



## DIMENSIONS

\* W: Width H: Height D: Depth \* mm



## INFORMATION

This Ulster Menu Stand is made of aluminium and features an anti-reflex protection cover for its A3 frame. The Ulster frame borders snap open which allows you to insert quickly and easily your printed graphics. Also, it features the option of customize with an inside graphic. It is ideal for hotel lobbies, for restaurant entrances, car dealerships or real states.

**ULSTER** W: Width H: Height D: Depth \* mm

	QTY	N.W	G.W	C.B.M	Size (WxHxD)
Packing	1	2.15kg	2.5kg	0.0102	145x1170x60
	1	5kg	5.3kg	0.0061	365x480x35
	1	0.65kg	0.85kg	0.0061	365x480x35
		Visual (X-Y)	External (WxHxD)		
Product	400x277		452x1200x300		
10.982		Graphic Size: A3			



## ULSTER





La Cartelera y el Equipamiento Comercial, SL

Calle Luis I, 45 Nave A  
Poligono Industrial de Vallecas  
28031 Madrid

[info@doncarteltienda.es](mailto:info@doncarteltienda.es)

**Teléfono gratuito de atención a clientes:**  
**900 897 122**

Horario de Lunes a Jueves:  
De 9 a 14 h y de 16 a 18 h.

Horario Viernes: De 9 a 14 h.



[facebook.com/doncarteltienda](https://facebook.com/doncarteltienda)



[@doncarteltienda](https://twitter.com/doncarteltienda)



[youtube.com/c/DoncarteltiendaEstuweb](https://youtube.com/c/DoncarteltiendaEstuweb)



[instagram.com/doncarteltienda/](https://instagram.com/doncarteltienda/)



[es.pinterest.com/doncarteltienda/doncarteltienda](https://es.pinterest.com/doncarteltienda/doncarteltienda)



<https://es.linkedin.com/in/doncarteltienda>